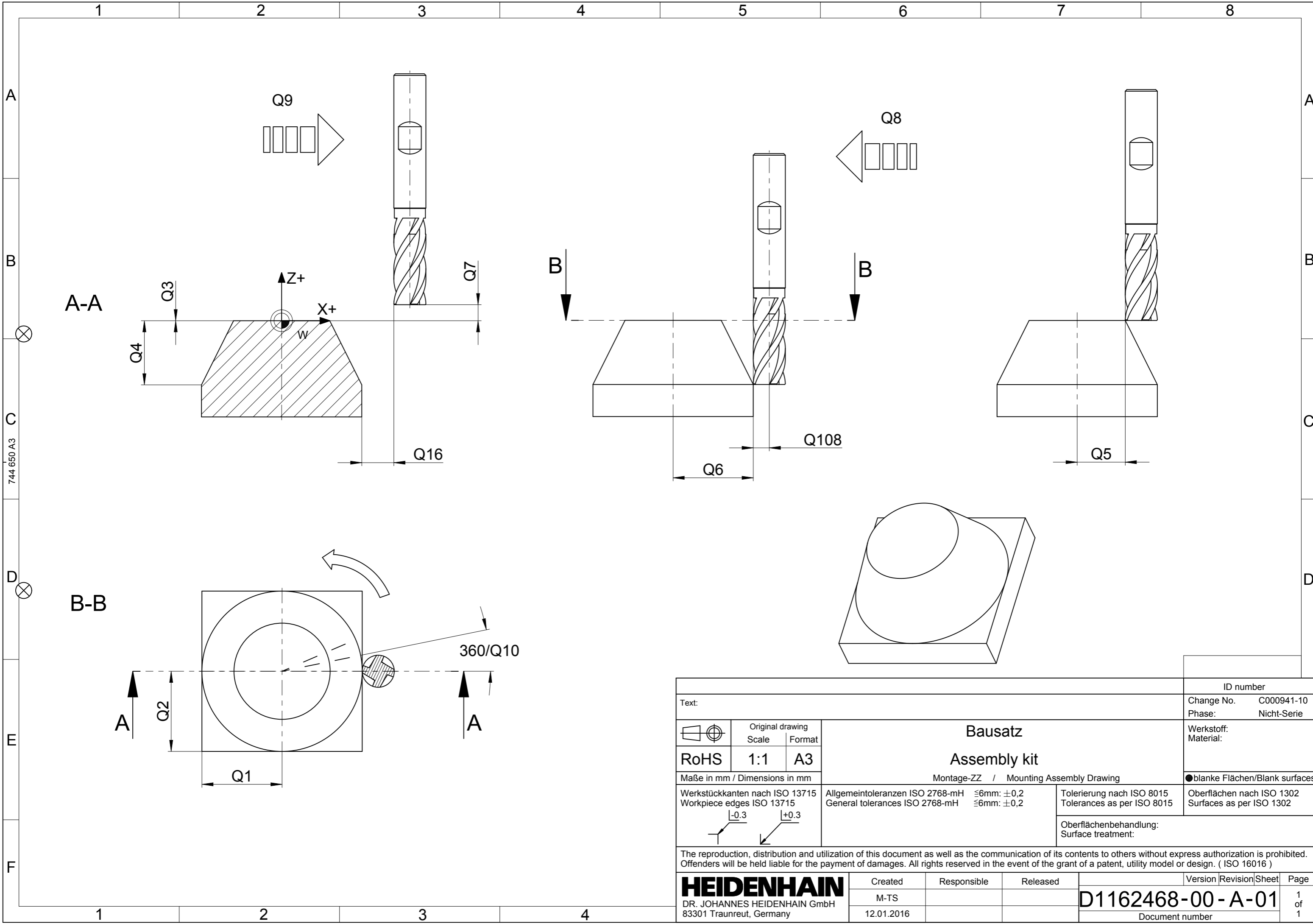


744 650 A3

1099475-01

Text:			ID number										
<table border="1"> <tr> <td></td> <td>Original drawing</td> <td></td> </tr> <tr> <td></td> <td>Scale</td> <td>Format</td> </tr> <tr> <td>RoHS</td> <td>2:1</td> <td>A3</td> </tr> </table>				Original drawing			Scale	Format	RoHS	2:1	A3	<p>Platte Plate</p> <p>Einzelteilzeichnung / Component Drawing</p>	
	Original drawing												
	Scale	Format											
RoHS	2:1	A3											
<table border="1"> <tr> <td>Werkstückkanten nach ISO 13715 Workpiece edges ISO 13715</td> <td>Allgemeintoleranzen ISO 2768-mH General tolerances ISO 2768-mH</td> <td>≤6mm: ±0,2 ≤6mm: ±0,2</td> <td>Tolerierung nach ISO 8015 Tolerances as per ISO 8015</td> <td>Oberflächen nach ISO 1302 Surfaces as per ISO 1302</td> </tr> </table>			Werkstückkanten nach ISO 13715 Workpiece edges ISO 13715	Allgemeintoleranzen ISO 2768-mH General tolerances ISO 2768-mH	≤6mm: ±0,2 ≤6mm: ±0,2	Tolerierung nach ISO 8015 Tolerances as per ISO 8015	Oberflächen nach ISO 1302 Surfaces as per ISO 1302	<p>●blanke Flächen/Blank surfaces</p>					
Werkstückkanten nach ISO 13715 Workpiece edges ISO 13715	Allgemeintoleranzen ISO 2768-mH General tolerances ISO 2768-mH	≤6mm: ±0,2 ≤6mm: ±0,2	Tolerierung nach ISO 8015 Tolerances as per ISO 8015	Oberflächen nach ISO 1302 Surfaces as per ISO 1302									
<table border="1"> <tr> <td></td> <td>-0.3</td> <td>+0.3</td> </tr> </table>				-0.3	+0.3	Oberflächenbehandlung: Surface treatment:							
	-0.3	+0.3											
<p>The reproduction, distribution and utilization of this document as well as the communication of its contents to others without express authorization is prohibited. Offenders will be held liable for the payment of damages. All rights reserved in the event of the grant of a patent, utility model or design. (ISO 16016)</p>													
<p>HEIDENHAIN DR. JOHANNES HEIDENHAIN GmbH 83301 Traunreut, Germany</p>			Created	Responsible									
			Released	Version									
				Revision									
				Sheet									
				Page									
			<p>D1099375-00-A-01</p> <p>Document number</p>										
			<p>1 of 1</p>										



744 650 A3

Text:			ID number										
Change No. C000941-10			Phase: Nicht-Serie										
<table border="1"> <tr> <td></td> <td>Original drawing</td> <td></td> </tr> <tr> <td></td> <td>Scale</td> <td>Format</td> </tr> <tr> <td>RoHS</td> <td>1:1</td> <td>A3</td> </tr> </table>				Original drawing			Scale	Format	RoHS	1:1	A3	<p align="center">Bausatz</p> <p align="center">Assembly kit</p> <p align="center">Montage-ZZ / Mounting Assembly Drawing</p>	
	Original drawing												
	Scale	Format											
RoHS	1:1	A3											
Maße in mm / Dimensions in mm			<p>●blanke Flächen/Blank surfaces</p>										
Werkstückkanten nach ISO 13715 Workpiece edges ISO 13715		Allgmeintoleranzen ISO 2768-mH $\leq 6\text{mm}$: $\pm 0,2$ General tolerances ISO 2768-mH $\leq 6\text{mm}$: $\pm 0,2$		Tolerierung nach ISO 8015 Tolerances as per ISO 8015									
		Oberflächenbehandlung: Surface treatment:											
The reproduction, distribution and utilization of this document as well as the communication of its contents to others without express authorization is prohibited. Offenders will be held liable for the payment of damages. All rights reserved in the event of the grant of a patent, utility model or design. (ISO 16016)													
HEIDENHAIN DR. JOHANNES HEIDENHAIN GmbH 83301 Traunreut, Germany			Created M-TS 12.01.2016	Responsible 									
			Released 	Version Revision Sheet Page D1162468-00-A-01 1 1 Document number									