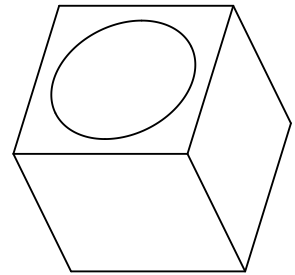
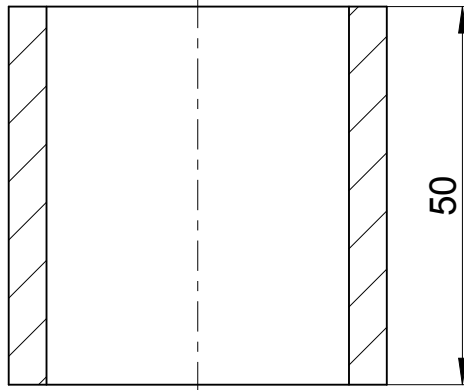
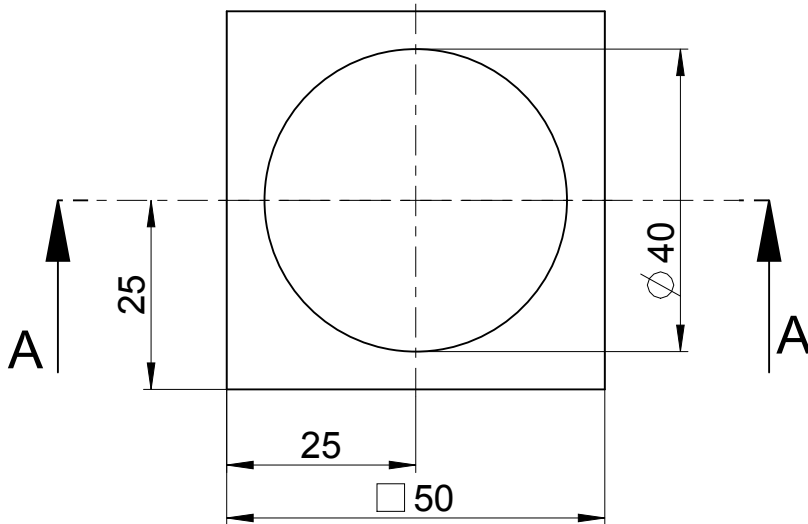


A-A



1:2

744 650 A4

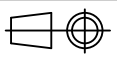


1114662-01

ID number

Text:

Release number: C000941-5



Original drawing
Scale | Format

Platte

Werkstoff:
Material:

RoHS

1:1

A4

Plate

Maße in mm / Dimensions in mm

Einzelteilzeichnung / Component Drawing

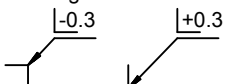
●blanke Flächen/Blank surfaces

Werkstückkanten nach ISO 13715
Workpiece edges ISO 13715

Allgemeintoleranzen ISO 2768-mH $\leq 6\text{mm}: \pm 0,2$
General tolerances ISO 2768-mH $\leq 6\text{mm}: \pm 0,2$

Tolerierung nach ISO 8015
Tolerances as per ISO 8015

Oberflächen nach ISO 1302
Surfaces as per ISO 1302



Oberflächenbehandlung:
Surface treatment:

The reproduction, distribution and utilization of this document as well as the communication of its contents to others without express authorization is prohibited. Offenders will be held liable for the payment of damages. All rights reserved in the event of the grant of a patent, utility model or design. (ISO 16016)

HEIDENHAIN
DR. JOHANNES HEIDENHAIN GmbH
83301 Traunreut, Germany

Created

Responsible

Released

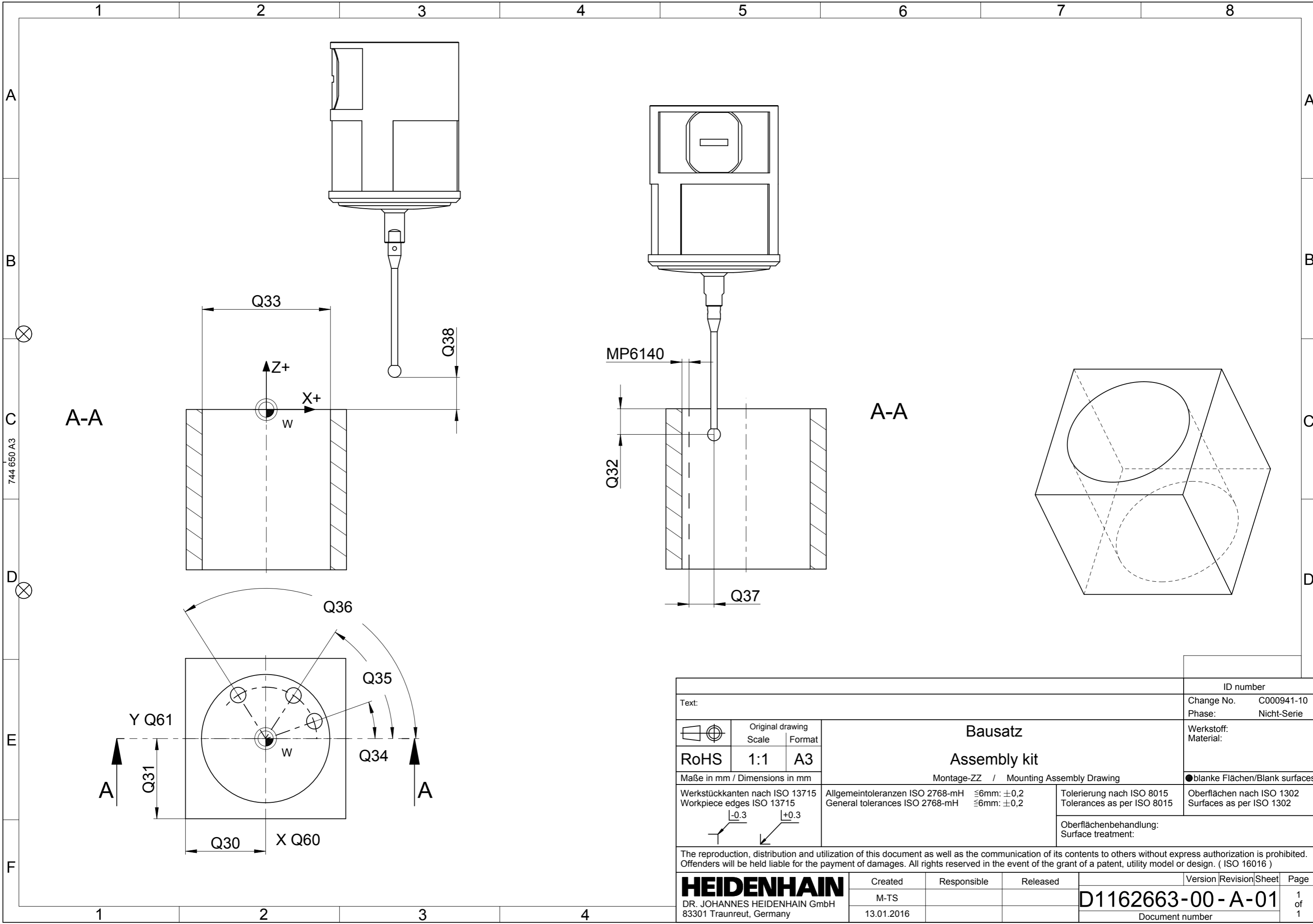
Version | Revision | Sheet | Page

M-TS
30.07.2014

D1114662-00-A-01

1
of
1

Document number



744 650 A3

Text:			ID number	
Original drawing Scale: 1:1 Format: A3			Change No. C000941-10	Phase: Nicht-Serie
RoHS			Werkstoff: Material:	
Maße in mm / Dimensions in mm			●blanke Flächen/Blank surfaces	
Werkstückkanten nach ISO 13715 Workpiece edges ISO 13715		Allgemeintoleranzen ISO 2768-mH ≤6mm: ±0,2 General tolerances ISO 2768-mH ≤6mm: ±0,2	Tolerierung nach ISO 8015 Tolerances as per ISO 8015	Oberflächen nach ISO 1302 Surfaces as per ISO 1302
		Oberflächenbehandlung: Surface treatment:		
The reproduction, distribution and utilization of this document as well as the communication of its contents to others without express authorization is prohibited. Offenders will be held liable for the payment of damages. All rights reserved in the event of the grant of a patent, utility model or design. (ISO 16016)				
HEIDENHAIN DR. JOHANNES HEIDENHAIN GmbH 83301 Traunreut, Germany			Created M-TS 13.01.2016	Responsible
			Released	Version Revision Sheet Page
			D1162663-00-A-01	
			Document number	
			1 of 1	