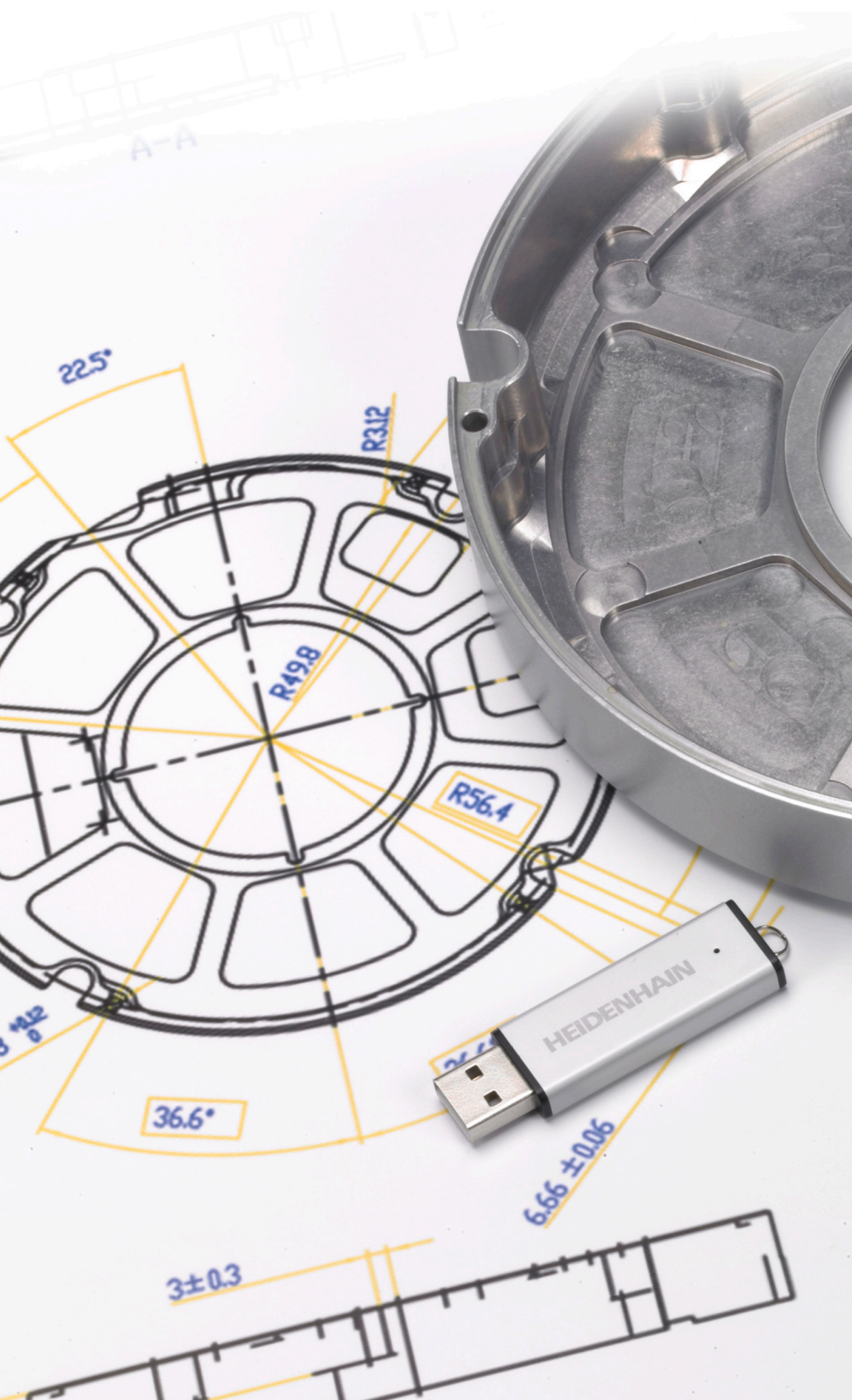




HEIDENHAIN



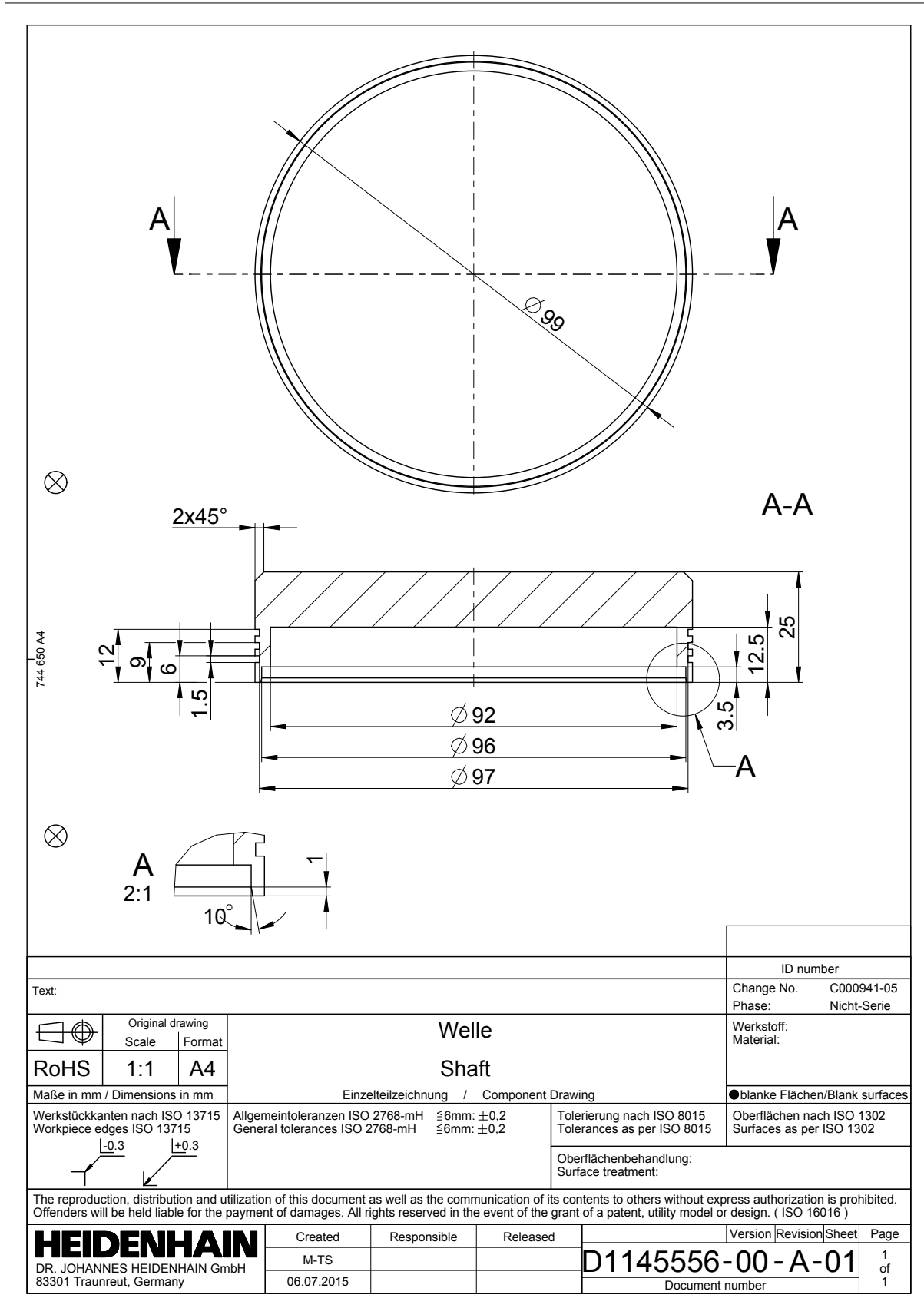
NC-Solutions

Zeichnungssatz 13003

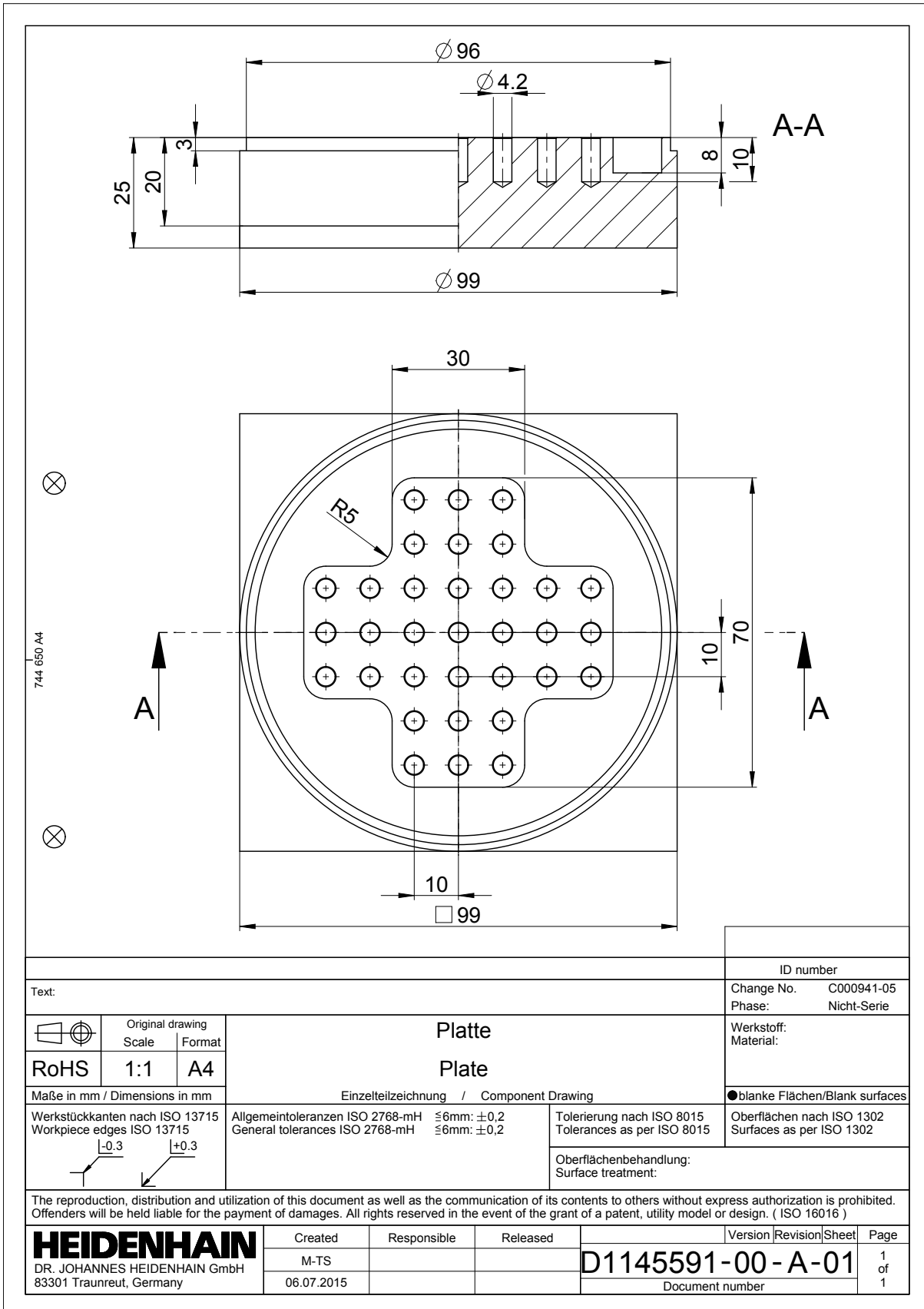
Deutsch (de)
4/2017

1 Zeichnungssatz_13003

Zeichnung Deckel



Zeichnung Unterteil



744 650 A4

Text:		ID number	
Change No. C000941-05		Phase: Nicht-Serie	
	Original drawing	<p style="text-align: center;">Platte Plate</p> <p style="text-align: center;">Einzelteilzeichnung / Component Drawing</p>	
Scale	Format		
RoHS	1:1	A4	Werkstoff: Material:
Maße in mm / Dimensions in mm		●blanke Flächen/Blank surfaces	
Werkstückkanten nach ISO 13715 Workpiece edges ISO 13715 		Allgemeintoleranzen ISO 2768-mH $\leq 6\text{mm}$: $\pm 0,2$ General tolerances ISO 2768-mH $\leq 6\text{mm}$: $\pm 0,2$	Tolerierung nach ISO 8015 Tolerances as per ISO 8015 Oberflächenbehandlung: Surface treatment:
The reproduction, distribution and utilization of this document as well as the communication of its contents to others without express authorization is prohibited. Offenders will be held liable for the payment of damages. All rights reserved in the event of the grant of a patent, utility model or design. (ISO 16016)			
<p>HEIDENHAIN DR. JOHANNES HEIDENHAIN GmbH 83301 Traunreut, Germany</p>		Created	Responsible
		M-TS	Released
06.07.2015		Version Revision Sheet Page D1145591-00-A-01 1 1 Document number	